

KOMATSU

**KOMATSU**  
Utility Corporation



Machine Shown with  
Optional Equipment



## CD60R-1A CRAWLER CARRIER

Flywheel Horsepower: 133 hp/99.3 kW  
Payload: 13,230 lbs. 6000 kg  
Operating Weight  
w/o Payload: 18,740 lbs. 8500 kg

### FEATURING

- **360° Rotation Capability**  
allows operator to face forward under any conditions
- **Ideal For Low Ground Pressure Applications**
- **Incorporates Field-Proven Komatsu Hydraulic Excavator Components**

# CD60R-1A Crawler Carrier

## World Class Komatsu Quality

35 years of experience and technology is manufactured into every crawler carrier. Komatsu's ISO certification and critical quality control ensure that every crawler carrier will satisfy the most demanding customer. From design to production, from sales to service, Komatsu means total quality.

## A Full 360 Degree Rotation Capability; Forward-Facing Operator Position Under Any Conditions: No Space Required for U-Turns

The ability of the cab and dump body integrated upperstructure to rotate 360 degrees enables dumping at any angle, while minimizing site-damage. This ability also results in minimal wear of pads, due to reduced steering necessity. The full rotation capability also means the operator can always execute jobs in a forward-facing position, leading to dramatically enhanced speed of operation, without sacrificing comfort.

## Field-Proven Hydraulic Components

The CD60R incorporates the most advanced hydraulic components in the market today by utilizing field-proven Komatsu hydraulic excavator technology. Rotation and control functions offer excellent performance with unmatched reliability.

## Advanced Cab Features

The CD60R offers all the conveniences an operator could want. Superior ventilation combined with excellent seating position and well placed low effort controls make work easy on any job site.

## Easy Dumping by Foot Pedal Operation

Hand levers and joysticks are used to control forward/reverse direction and the rotation of the upperstructure. Dumping is controlled by foot pedal allowing effective, well-balanced use of both hands and feet.



## High/Low Automatic Transmission

In cases where the load increases during high-speed travel, the transmission will automatically shift down to low-speed range, providing optimum driving force.

## Automatic Parking Brake

When the CD60R comes to a stop, the parking brake will be automatically activated. When in operation, the parking brake will automatically disengage.



## Engine-EPA Certified

Model	Komatsu S6D102E1A	
Flywheel Horsepower	133 HP/99.3 kW@2000 rpm	
Displacement	359 cu. in.	5.9 ltr.
Max Torque	412 ft. lb.	559 Nm@1,350 rpm
No. of Cylinders	6	
Bore/Stroke	4.01" x 4.72"	102/120 mm
Fuel Injection	Direct	
Cooling System	Thermostatically controlled, liquid cooling	
Electrical System	24 volt	
Batteries	2 x 12 volt, 110 Ah	
Alternator	35A	
Air Filter	dry type, dual element with automatic dust evacuator	

## Transmission

Two speed hydrostatic transmission with differential planetary reduction

### Gears

Forward/Reverse . . . . . 2/2

Speeds . . . . . 1st gear 0 – 3.7 mph 6.0 km/h  
2nd gear 0 – 5.3 mph 8.5 km/h

## Undercarriage

Bogie type with rubber track for excellent ride and flotation.

Track tension is easily adjusted with grease gun.

Suspension . . . . . Bogie Type

Track Frame . . . . . Box-section, high tensile strength steel construction

Number of Carrier Rollers . . . . . 4, each side

Number of Track Rollers . . . . . 8, each side

Track Shoes . . . . . Steel reinforced rubber track, mono-block, rubber shoe

Track Shoe Width . . . . . 24.0" 600mm

Ground Pressure–Unloaded . . . . . 3.1 psi .22kg/cm<sup>2</sup>

## Brakes

### Travel

Service Brake . . . . . Dynamic with hydraulic lock

Parking Brake . . . . . Wet, sealed, multiple disc  
(Parking brake engages automatically when machine is stopped)

### Swing

Service Brake . . . . . Hydraulic lock

Holding Brake . . . . . Wet, sealed, multiple disc

## Operating Performance

Max. Payload . . . . . 13,230 lb 6000kg

Gradeability . . . . . 30°

Max. Dumping Angle . . . . . 58°

Dump Body, Dump Speed . . . . . 8.1 sec.

Dump Clearance . . . . . 3'1" 930 mm

Upper Structure Swing Radius . . . . . 8'10" 2,695 mm

Upper Structure Swing Speed . . . . . 4 rpm

## Hydraulic System

System . . . . . Variable Displacement Axial Piston Pump

Hydraulic Pressure . . . . . 2490 psi 175 kg/cm<sup>2</sup>

## Operating Weight

Net Weight–Unloaded . . . . . 18,740 lb 8500kg

Gross Weight–Loaded . . . . . 32,150 lb 14,580kg

## Service Refill Capacities

Fuel Tank . . . . . 34.3 US gal. 130 ltr.

Coolant System . . . . . 5.3 US gal. 20 ltr.

Engine Oil . . . . . 5.0 US gal. 19 ltr.

Hydraulic System . . . . . 11.9 US gal. 45 ltr.

Final Drive, Each Side . . . . . 0.6 US gal. 2.1 ltr.

## Standard equipment

- Adjustable operator's seat
- Alternator condition indicator light
- Decelerator pedal
- Dump body control lever
- Dump body without tailgate
- Engine coolant temperature gauge
- Engine oil pressure indicator light
- Engine pre-heat w/indicator light
- Front driving lights (2)
- Fuel gauge
- Horn
- Hourmeter
- Hydrostatic charge pressure indicator light
- Operator controls lock lever
- Parking brake
- Rear view mirrors (2)
- Reverse travel indicator light
- ROP/FOPS canopy
- Seat belt, 3"
- Swing control lever w/indicator light
- Swing lock switch w/indicator light
- Tachometer
- Tool Box
- Travel alarm
- Travel speed selector switch
- Two independent track control travel levers
- Upper structure centering indicator light

## Optional equipment

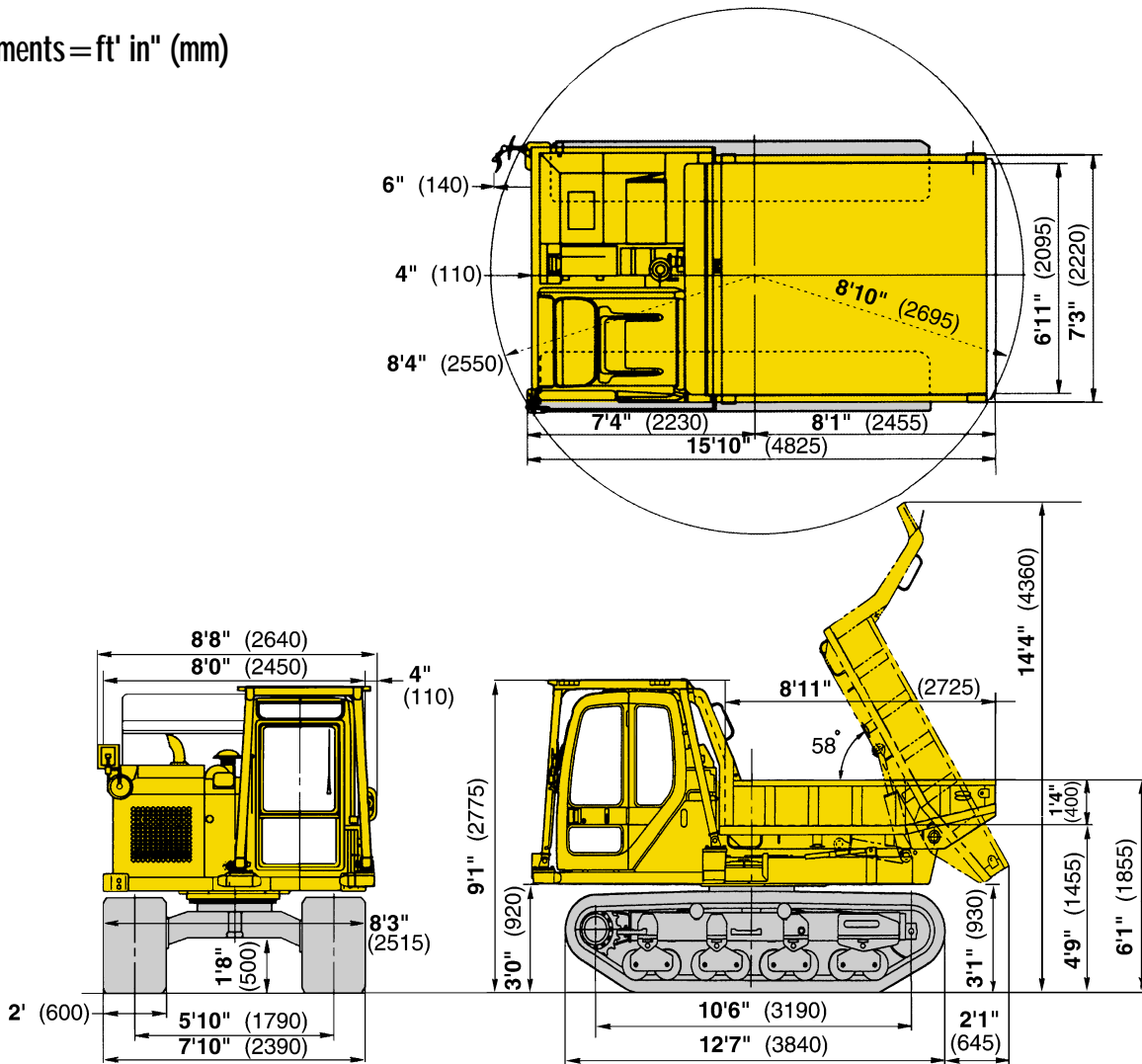
- Enclosed cab w/front & side opening glass
- Heater & Defroster
- Windshield wiper & washer

# CD60R-1A Crawler Carrier

## Dimensions

Overall Length .....	15'10"	4825 mm	Dump Body Height .....	4'9"	1455 mm
Overall Width .....	8'8"	2640 mm	Dump Body Length (inside).....	8'11"	2725 mm
Overall Height.....	9'1"	2775 mm	Dump Body Width (inside) .....	6'11"	2095 mm
Length of Track on Ground.....	10'6"	3190 mm	Dump Body Height (inside).....	1'4"	400 mm
Track Gauge .....	5'10"	1790 mm	Loading Height .....	6'1"	1855 mm
Min. Ground Clearance.....	1'8"	500 mm	Dump Clearance .....	3'1"	930 mm

measurements = ft' in" (mm)



This specification sheet may contain attachments and optional equipment that are not available in your area. Please contact your local Komatsu Utility Corporation distributor for those items you may require. Materials and specifications are subject to change without notice.

**KOMATSU** *Utility*  
**Utility Corporation**  
 PO Box 8112 • Vernon Hills, IL 60061-8112  
 website: www.komatsuutility.com